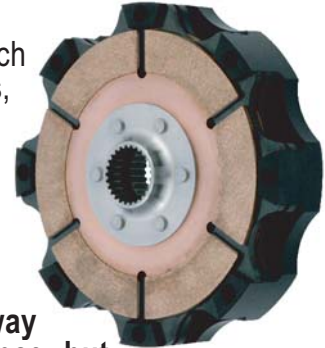


5.5" Power-V Racing Clutch

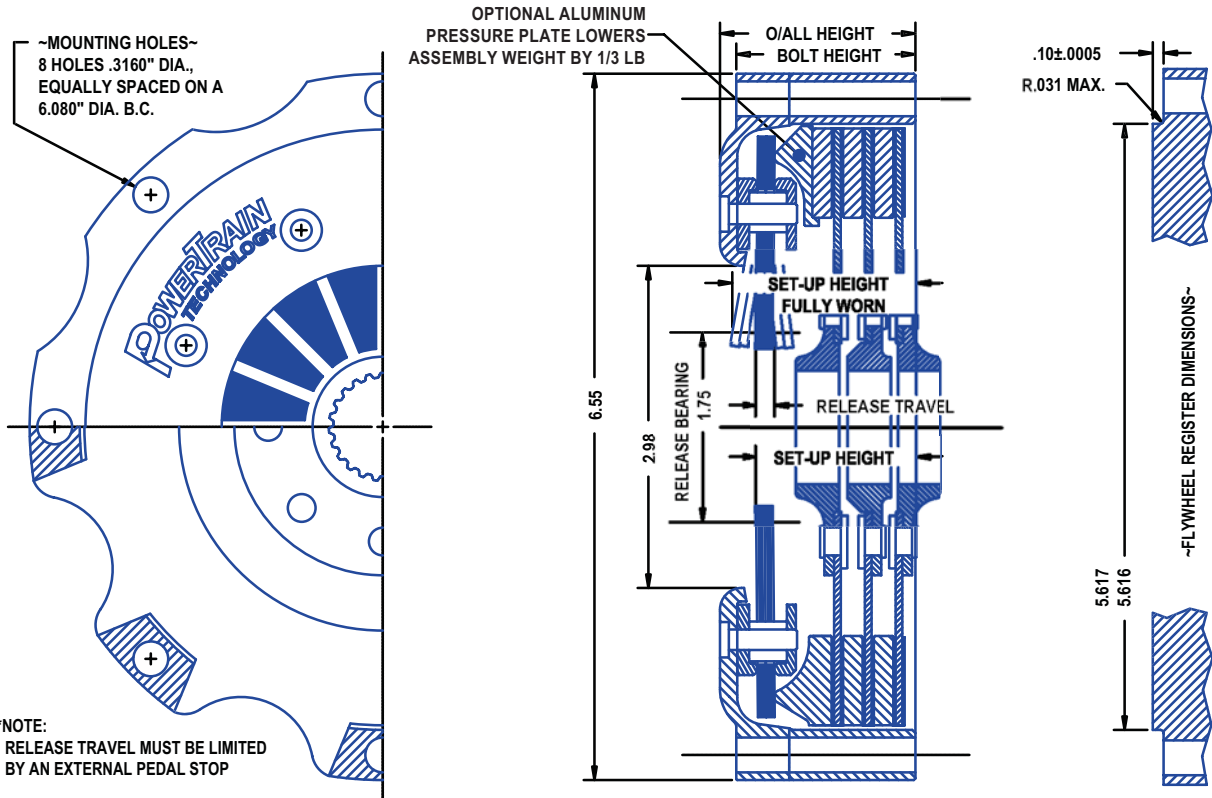


PTT offers racing clutches that feature innovative design, high reliability, and above all else the **competitive edge** you seek. Our 5.5" line of metallic clutches, feature **Ultra-Low Moment of Inertia (MOI)** They are up to **20% lower in MOI** than other manufacturers' equivalent clutches. PTT clutches have **Race Winning Reliability** built into them. This level of performance comes from over **25 years of experience** building championship winning, quality products. The engineering excellence, vision, and dedication to using the finest quality materials and manufacturing methods speaks for itself every time you pick one up.

Standard features included in every PTT 5.5" clutch are: Low profile cover design, Flush mount fasteners, Power-V drive legs, Micro-Finished friction material, CNC manufacturing ensuring the highest level of quality, Open Design for cleaner operation & longer maintenance intervals. Also offered are: Different friction materials to suit specific racing needs, Lightened Chrome-Moly Floater Plates & Pressure Plates, and Aluminum Pressure Plates for the ultimate in low MOI.



Product Excellence and good old fashioned Customer Service is our way of going about our everyday business. To us, this is not rocket science, but with PTT products in your racecar, you just might think it accelerates like a rocket.



NUMBER OF DRIVEN DISCS	RECOMMENDED MAX. ENGINE TORQUE	SET-UP HEIGHTS		RELEASE TRAVEL*	MEASURED HEIGHTS		ASSEMBLED WEIGHT	DISC THICKNESS	
		NEW	FULLY WORN		O/ALL	BOLT HEIGHT		NEW	FULLY WORN
1	250 lb./ft.	0.90"	1.06"	0.19"	1.24"	1.09"	4.0 lbs	0.105"	0.075"
2	550 lb./ft.	1.19"	1.35"	0.19"	1.53"	1.37"	5.6 lbs	0.105"	0.090"
3	800 lb./ft.	1.47"	1.63"	0.19"	1.81"	1.66"	6.8 lbs	0.105"	0.095"
4	1050 lb./ft.	1.75"	1.91"	0.19"	2.09"	1.66"	8.0 lbs	0.105"	0.097"

Put "THE POWER" to work for you! www.PowerTrainTech.com

5.5" Power-V Racing Clutches

Sintered Metallic .105" Thick	CE116A1Axx	1D Clutch
	CE216A1Axx	2D Clutch
	CE216A3Axx	2D w/ Alum. P. Plate & LtWt Floaters
	CE316A1Axx	3D Clutch
	CE316A3Axx	3D w/ Alum. P. Plate & LtWt Floaters
Metallic .200"	CE416A1Axx	4D Clutch
	CE126A1Axx	1D Clutch
	CE226A1Axx	2D Clutch
Organic .200"	CE326A1Axx	3D Clutch
	CE176A1Axx	1D Clutch
	CE276A1Axx	2D Clutch
	CE376A1Axx	3D Clutch



5.5" 2D Clutch



Aluminum Pressure Plate with Lightweight Floater Plate

xx = Spline Size (see chart page 28)

5.5" Clutch & Btn. Flywheel Assembly

(EM = Early Model '85 & Earlier, LM = Late Model '86 to '97)
Includes clutch bolt kit



2 DISC CLUTCH ASSEMBLY

Chevy SB V-8 EM	KE2128	10T	1-1/8" x 10 spline
	K52128		Alum. P.Plate w/ LtWt Floaters
	KE2129	26T	1-5/32" x 26 spline
	K52129		Alum. P.Plate w/ LtWt Floaters
Chevy SBV-8 LM	KE2828	10T	1-1/8" x 10 spline
	K52828		Alum. P.Plate w/ LtWt Floaters
	KE2829	26T	1-5/32" x 26 spline
	K52829		Alum. P.Plate w/ LtWt Floaters
Chevy SBV8 LM Ext. Bal.	KE2928	10T	1-1/8" x 10 spline
	K52928		Alum. P.Plate w/ LtWt Floaters
	KE2929	26T	1-5/32" x 26 spline
	K52929		Alum. P.Plate w/ LtWt Floaters
Chevy LS1 V-8	KE2028	10T	1-1/8" x 10 spline
	K52028		Alum. P.Plate w/ LtWt Floaters
	KE2029	26T	1-5/32" x 26 spline
	K52029		Alum. P.Plate w/ LtWt Floaters

3 DISC CLUTCH ASSEMBLY

Chevy SB V-8 EM	KE3128	10T	1-1/8" x 10 spline
	K53128		Alum. P.Plate w/ LtWt Floaters
	KE3129	26T	1-5/32" x 26 spline
	K53129		Alum. P.Plate w/ LtWt Floaters
Chevy SBV-8 LM	KE3828	10T	1-1/8" x 10 spline
	K53828		Alum. P.Plate w/ LtWt Floaters
	KE3829	26T	1-5/32" x 26 spline
	K53829		Alum. P.Plate w/ LtWt Floaters
Chevy SBV8 LM Ext. Bal.	KE3928	10T	1-1/8" x 10 spline
	K53928		Alum. P.Plate w/ LtWt Floaters
	KE3929	26T	1-5/32" x 26 spline
	K53929		Alum. P.Plate w/ LtWt Floaters
Chevy LS1 V-8	KE3028	10T	1-1/8" x 10 spline
	K53028		Alum. P.Plate w/ LtWt Floaters
	KE3029	26T	1-5/32" x 26 spline
	K53029		Alum. P.Plate w/ LtWt Floaters

5.5" Clutch, Btn. Fly, & Low M.O.I. Flexplate

(EM = Early Model '85 & Earlier, LM = Late Model '86 to '97)
Includes clutch bolt kit



2 DISC CLUTCH ASSEMBLY

Chevy SB V-8 EM	KE2148	10T	1-1/8" x 10 spline
	K52148		Alum. P.Plate w/ LtWt Floaters
	KE2149	26T	1-5/32" x 26 spline
	K52149		Alum. P.Plate w/ LtWt Floaters
Chevy SBV-8 LM	KE2848	10T	1-1/8" x 10 spline
	K52848		Alum. P.Plate w/ LtWt Floaters
	KE2849	26T	1-5/32" x 26 spline
	K52849		Alum. P.Plate w/ LtWt Floaters
Chevy SBV8 LM Ext. Bal.	KE2948	10T	1-1/8" x 10 spline
	K52948		Alum. P.Plate w/ LtWt Floaters
	KE2949	26T	1-5/32" x 26 spline
	K52949		Alum. P.Plate w/ LtWt Floaters
Chevy LS1 V-8	KE2048	10T	1-1/8" x 10 spline
	K52048		Alum. P.Plate w/ LtWt Floaters
	KE2049	26T	1-5/32" x 26 spline
	K52049		Alum. P.Plate w/ LtWt Floaters

3 DISC CLUTCH ASSEMBLY

Chevy SB V-8 EM	KE3148	10T	1-1/8" x 10 spline
	K53148		Alum. P.Plate w/ LtWt Floaters
	KE3149	26T	1-5/32" x 26 spline
	K53149		Alum. P.Plate w/ LtWt Floaters
Chevy SBV-8 LM	KE3848	10T	1-1/8" x 10 spline
	K53848		Alum. P.Plate w/ LtWt Floaters
	KE3849	26T	1-5/32" x 26 spline
	K53849		Alum. P.Plate w/ LtWt Floaters
Chevy SBV8 LM Ext. Bal.	KE3948	10T	1-1/8" x 10 spline
	K53948		Alum. P.Plate w/ LtWt Floaters
	KE3949	26T	1-5/32" x 26 spline
	K53949		Alum. P.Plate w/ LtWt Floaters
Chevy LS1 V-8	KE3048	10T	1-1/8" x 10 spline
	K53048		Alum. P.Plate w/ LtWt Floaters
	KE3049	26T	1-5/32" x 26 spline
	K53049		Alum. P.Plate w/ LtWt Floaters

5.5" Clutch Reverse Starter Mount Bellhousing Kits

Kit includes: Clutch, LtWt Button Flywheel, Reverse Starter Mount Bellhousing (aluminum or magnesium), Reverse Mount Starter, Hydraulic Release Bearing with External Bleeder kit (Hydro-MAX or Tri-MAX), Reverse Mount Ring Gear, Clutch Bolts & Flywheel Bolts.



NOTE: Advise your dealer if you are running a 1/4" motor plate.

	ALUMINUM BH		MAGNESIUM BH		Spline	Hydraulic Release Bearing
	2 Disc	3 Disc	2 Disc	3 Disc		
Chevy SB V-8 EM	BE2118	BE3118	BE2158	BE3158	10T	Hydro-MAX drop-in HRB, 10 spline
	B52118	B53118	B52158	B53158		Alum. P.Plate w/ LtWt Floaters, Hydro-MAX
	BE2128	BE3128	BE2168	BE3168		Tri-MAX bolt-in HRB, 10 spline
	B52128	B53128	B52168	B53168		Alum. P.Plate w/ LtWt Floaters, Tri-MAX
	BE2119	BE3119	BE2159	BE3159	26T	Hydro-MAX drop-in HRB, 26 spline
	B52119	B53119	B52159	B53159		Alum. P.Plate w/ LtWt Floaters, Hydro-MAX
BE2129	BE3129	BE2169	BE3169	Tri-MAX bolt-in HRB, 26 spline		
	B52129	B53129	B52169	B53169	Alum. P.Plate w/ LtWt Floaters, Tri-MAX	
Chevy SB V-8 LM	BE2818	BE3818	BE2858	BE3858	10T	Hydro-MAX drop-in HRB, 10 spline
	B52818	B53818	B52858	B53858		Alum. P.Plate w/ LtWt Floaters, Hydro-MAX
	BE2828	BE3828	BE2868	BE3868		Tri-MAX bolt-in HRB, 10 spline
	B52828	B53828	B52868	B53868		Alum. P.Plate w/ LtWt Floaters, Tri-MAX
	BE2819	BE3819	BE2859	BE3859	26T	Hydro-MAX drop-in HRB, 26 spline
	B52819	B53819	B52859	B53859		Alum. P.Plate w/ LtWt Floaters, Hydro-MAX
BE2829	BE3829	BE2869	BE3869	Tri-MAX bolt-in HRB, 26 spline		
	B52829	B53829	B52869	B53869	Alum. P.Plate w/ LtWt Floaters, Tri-MAX	
Chevy SB V-8 LM Ext. Bal.	BE2918	BE3918	BE2958	BE3958	10T	Hydro-MAX drop-in HRB, 10 spline
	B52918	B53918	B52958	B53958		Alum. P.Plate w/ LtWt Floaters, Hydro-MAX
	BE2928	BE3928	BE2968	BE3968		Tri-MAX bolt-in HRB, 10 spline
	B52928	B53928	B52968	B53968		Alum. P.Plate w/ LtWt Floaters, Tri-MAX
	BE2919	BE3919	BE2959	BE3959	26T	Hydro-MAX drop-in HRB, 26 spline
	B52919	B53919	B52959	B53959		Alum. P.Plate w/ LtWt Floaters, Hydro-MAX
BE2929	BE3929	BE2969	BE3969	Tri-MAX bolt-in HRB, 26 spline		
	B52929	B53929	B52969	B53969	Alum. P.Plate w/ LtWt Floaters, Tri-MAX	
Chevy LS1 V-8	BE2018	BE3018	BE2058	BE3058	10T	Hydro-MAX drop-in HRB, 10 spline
	B52018	B53018	B52058	B53058		Alum. P.Plate w/ LtWt Floaters, Hydro-MAX
	BE2028	BE3028	BE2068	BE3068		Tri-MAX bolt-in HRB, 10 spline
	B52028	B53028	B52068	B53068		Alum. P.Plate w/ LtWt Floaters, Tri-MAX
	BE2019	BE3019	BE2059	BE3059	26T	Hydro-MAX drop-in HRB, 26 spline
	B52019	B53019	B52059	B53059		Alum. P.Plate w/ LtWt Floaters, Hydro-MAX
	BE2029	BE3029	BE2069	BE3069		Tri-MAX bolt-in HRB, 26 spline
	B52029	B53029	B52069	B53069		Alum. P.Plate w/ LtWt Floaters, Tri-MAX

Put "THE POWER" to work for you! www.PowerTrainTech.com

5.5" Clutch Packs

Metallic .105"	PE116Axx	1 Disc
	PE216Axx	2 Disc
	PE316Axx	3 Disc
	PE416Axx	4 Disc
Met. .200"	PE126Axx	1 Disc
	PE226Axx	2 Disc
	PE326Axx	3 Disc



3D x .105" thick
metallic

Org. .200"	PE176Axx	1 Disc
	PE276Axx	2 Disc
	PE376Axx	3 Disc



2D x .200" thick
organic

xx = Spline Size (see chart page 28)

5.5" Button Style Flywheels

Chevy SB V-8 EM	FE100	Button Style, Chevy SB V-8 EM
	FE101	LtWt , Button, Chevy SB V-8 EM
	FE106	Super LtWt , Drilled, Btn Style, SB V8 EM
Chevy SB V-8 LM	FE102	Button Style
	FE103	LtWt , Button Style
	FE107	Super LtWt , Drilled, Button Style
Chevy SBV-8 LM Ext. Bal.	FE1021	Button Style (needs special bolt kit)
	FE1031	LtWt , Button Style (needs special bolt kit)
	FE1071	Super LtWt , Drilled Btn. (needs special bolt kit)
	EB103	Balance Weight Only (needs special bolt kit)
ChevyLS1	FE105	LtWt , Button, Chevy LS1 V-8
Chrysler	FE203	LtWt , Button, Chrysler, 6 Bolt
Ford	FE301	LtWt , Button, Ford SB V-8
Flywheel Bolts	NK407076	Chevy, Ford, Chrysler SB V-8
	NK400076	Chevy LS1 V-8



LtWt Button Chevy
SB V-8 EM



Super LtWt Drilled
Button Chevy
SB V-8 LM

5.5" Clutch Replacement Parts

Cover Assembly	CE101	1 Disc X .105"
	CE201	2 Disc X .105"
	CE221	2 Disc X .200"
	CE301	3 Disc X .105"
	CE401	4 Disc X .105" (or 3D X .200")
Pressure Plates	CE031	Steel, Std. Fulcrum
	CE032	Steel, Hi-Torque
	CE035	Alum., Std. Fulcrum
Floater Plates	CE041	Floater Plate
	CE042	Floater Plate, LtWt



2D Cover Assembly

Aluminum Pressure
Plate

LtWt Floater Plate

5.5" Clutch Bolt Kits

Chevy Crate Motor	NK105148	1 Disc Clutch
	NK105168	2 Disc Clutch
	NK105188	3 Disc Clutch
	NK105208	4 Disc Clutch
	NK105168X	2 Disc for externally balanced flywheel
	NK105188X	3 Disc for externally balanced flywheel



Formula SCCA Racecar.

Formula SCCA racecar uses a PTT 5.5" 2D clutch, flywheel, flexplate and release bearing. PTT is the exclusive clutch supplier for Formula SCCA.